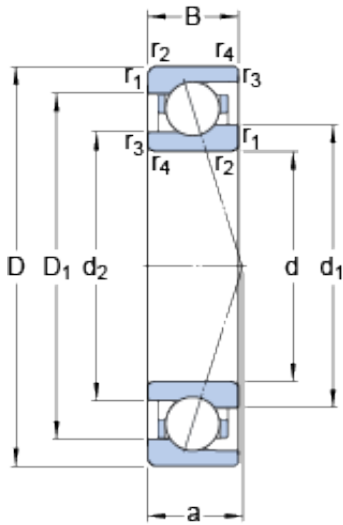




NTA PRECISION AXLE CORP.



120 mm x 165 mm x 22 mm SKF 71924 CE/P4A angular contact ball bearings

Bearing No. 71924 CE/P4A

71924 CE/P4A Bearing 2D drawings and 3D CAD models

Size	165x120x22 mm
Bore Diameter	165 mm
Outer Diameter	120 mm
Width	22 mm
d	120 mm
D	165 mm
B	22 mm
d ₁	134 mm
d ₂	130.2 mm
D ₁	151.01 mm
r _{1,2} - min.	1.1 mm
r _{3,4} - min.	0.6 mm
a	31 mm
d _a - min.	126 mm
d _b - min.	123.2 mm
D _a - max.	159 mm
D _b - max.	161.8 mm
r _a - max.	1 mm
r _b - max.	0.6 mm
d _n	137.4 mm
Basic dynamic load rating - C	47.5 kN
Basic static load rating - C ₀	40.5 kN
Fatigue load limit - P _u	1.4 kN
Limiting speed for grease	11200 r/min



NTA PRECISION AXLE CORP.

Lubrication	
Limiting speed for oil lubrication	16000 mm/min
Ball - D_w	14.288 mm
Ball - z	24
G_{ref}	15 cm ³
Calculation factor - f_0	8.5
Preload class A - G_A	250 N
Preload class B - G_B	760 N
Preload class C - G_C	1530 N
Calculation factor - f	1.18
Calculation factor - f	1
Calculation factor - f_{2A}	1
Calculation factor - f_{2B}	1.04
Calculation factor - f_{2C}	1.08
Calculation factor - f_{HC}	1
Preload class A	82 N/micron
Preload class B	129 N/micron
Preload class C	179 N/micron
d_1	134 mm
d_2	130.2 mm
D_1	151.01 mm
$r_{1,2}$ min.	1.1 mm
$r_{3,4}$ min.	0.6 mm
d_a min.	126 mm
d_b min.	123.2 mm
D_a max.	159 mm
D_b max.	161.8 mm
r_a max.	1 mm
r_b max.	0.6 mm
d_n	137.4 mm



NTA PRECISION AXLE CORP.

Basic dynamic load rating C	47.5 kN
Basic static load rating C_0	40.5 kN
Fatigue load limit P_u	1.4 kN
Attainable speed for grease lubrication	11200 r/min
Attainable speed for oil-air lubrication	16000 r/min
Ball diameter D_w	14.288 mm
Number of balls z	24
Reference grease quantity G_{ref}	15 cm ³
Preload class A G_A	250 N
Static axial stiffness, preload class A	82 N/ μ m
Preload class B G_B	760 N
Static axial stiffness, preload class B	129 N/ μ m
Preload class C G_C	1530 N
Static axial stiffness, preload class C	179 N/ μ m
Calculation factor f	1.18
Calculation factor f_1	1
Calculation factor f_{2A}	1
Calculation factor f_{2B}	1.04
Calculation factor f_{2C}	1.08
Calculation factor f_{HC}	1
Calculation factor f_0	8.5
Mass bearing	1.1 kg