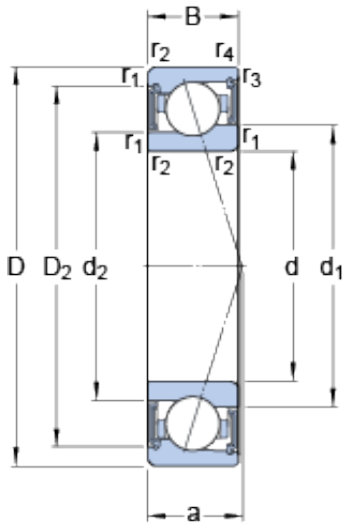




NTA PRECISION AXLE CORP.

20 mm x 37 mm x 9 mm SKF S71904 ACE/P4A
angular contact ball bearings

Bearing No. S71904 ACE/P4A



S71904 ACE/P4A Bearing 2D drawings and 3D CAD models

Size	37x20x9 mm
Bore Diameter	37 mm
Outer Diameter	20 mm
Width	9 mm
d	20 mm
D	37 mm
B	9 mm
d ₁	25.65 mm
d ₂	24.4 mm
D ₂	33.5 mm
r _{1,2} - min.	0.3 mm
r _{3,4} - min.	0.15 mm
a	11.6 mm
d _a - min.	22 mm
d _a - max.	25.3 mm
d _b - min.	22 mm
d _b - max.	24 mm
D _a - max.	35 mm
D _b - max.	36.2 mm
r _a - max.	0.3 mm
r _b - max.	0.15 mm
Basic dynamic load rating - C	4.7 kN
Basic static load rating - C ₀	2.3 kN
Fatigue load limit - P _u	0.098 kN



NTA PRECISION AXLE CORP.

Limiting speed for grease lubrication	52000 r/min
Ball - D_w	4.762 mm
Ball - z	14
Calculation factor - e	0.68
Calculation factor - Y_2	0.87
Calculation factor - Y_0	0.38
Calculation factor - X_2	0.41
Calculation factor - Y_1	0.92
Calculation factor - Y_2	1.41
Calculation factor - Y_0	0.76
Calculation factor - X_2	0.67
Preload class A - G_A	42 N
Preload class B - G_B	130 N
Preload class C - G_C	250 N
Calculation factor - f	1.04
Calculation factor - f_1	0.99
Calculation factor - f_{2A}	1
Calculation factor - f_{2B}	1.04
Calculation factor - f_{2C}	1.07
Calculation factor - f_{HC}	1
Preload class A	47 N/micron
Preload class B	69 N/micron
Preload class C	88 N/micron
d_1	25.65 mm
d_2	24.4 mm
D_2	33.5 mm
$r_{1,2}$ min.	0.3 mm
$r_{3,4}$ min.	0.15 mm
d_a min.	22 mm



NTA PRECISION AXLE CORP.

d_a max.	25.3 mm
d_b min.	22 mm
d_b max.	24 mm
D_a max.	35 mm
D_b max.	36.2 mm
r_a max.	0.3 mm
r_b max.	0.15 mm
Basic dynamic load rating C	4.68 kN
Basic static load rating C_0	2.28 kN
Fatigue load limit P_u	0.098 kN
Attainable speed for grease lubrication	52000 r/min
Ball diameter D_w	4.762 mm
Number of balls z	14
Preload class A G_A	42 N
Static axial stiffness, preload class A	47 N/ μ m
Preload class B G_B	130 N
Static axial stiffness, preload class B	69 N/ μ m
Preload class C G_C	250 N
Static axial stiffness, preload class C	88 N/ μ m
Calculation factor f	1.04
Calculation factor f_1	0.99
Calculation factor f_{2A}	1
Calculation factor f_{2B}	1.04
Calculation factor f_{2C}	1.07
Calculation factor f_{HC}	1
Calculation factor e	0.68
Calculation factor (single, tandem) Y_2	0.87
Calculation factor (single, tandem) Y_0	0.38



NTA PRECISION AXLE CORP.

Calculation factor (single, tandem) X_2	0.41
Calculation factor (back-to-back, face-to-face) Y_1	0.92
Calculation factor (back-to-back, face-to-face) Y_2	1.41
Calculation factor (back-to-back, face-to-face) Y_0	0.76
Calculation factor (back-to-back, face-to-face) X_2	0.67
Mass bearing	0.035 kg