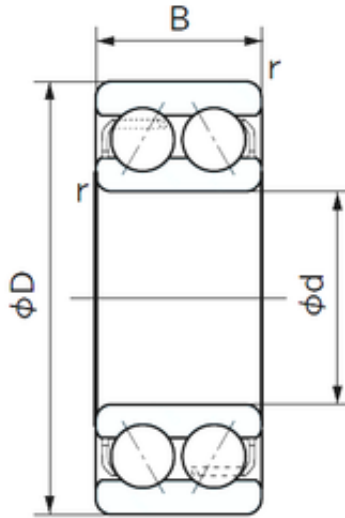




NTA PRECISION AXLE CORP.



65 mm x 120 mm x 38.1 mm NACHI 5213
angular contact ball bearings

Bearing No. 5213

5213 Bearing 2D drawings and 3D CAD models

Size	65x120x38.1 mm
Bore Diameter	65 mm
Outer Diameter	120 mm
Width	38.1 mm
d	65 mm
D	120 mm
B	38.1 mm
C	38.1 mm
Angle ()	30 °
r min.	1.5 mm
Weight	1.66 Kg
Basic dynamic load rating (C)	89 kN
Basic static load rating (C0)	77 kN
(Grease) Lubrication Speed	3900 r/min
Category	Angular Contact Ball Bearings
Inventory	3.0
Manufacturer Name	NACHI
Minimum Buy Quantity	N/A
Weight / Kilogram	1.662
EAN	4991893603002
Product Group	B00152
Enclosure	Open
Flush Ground	No
Rolling Element	Ball Bearing



NTA PRECISION AXLE CORP.

Number of Rows of Balls	Double Row
Precision Class	ABEC 1 ISO P0
Maximum Capacity / Filling Slot	No
Snap Ring	No
Cage Material	Steel
Contact Angle	20 Degree
Internal Clearance	C0-Medium
Number of Bearings	1 (Single)
Inch - Metric	Metric
Long Description	65MM Bore; 120MM Outside Diameter; 38.1MM Width; Open; No Flush Ground; Ball Bearing; Double Row of Balls; ABEC 1 ISO P0; No Filling Slot; No Snap Ring
Category	Angular Contact Ball Bearing
UNSPSC	31171531
Harmonized Tariff Code	8482.10.50.28
Noun	Bearing
Keyword String	Angular Contact
Manufacturer URL	http://www.nachi.com
Manufacturer Item Number	5213 BNLS
Weight / LBS	3.66
Width	1.5 Inch 38.1 Millimeter
Bore	2.559 Inch 65 Millimeter
Outside Diameter	4.724 Inch 120 Millimeter
Configuration	Double Row
Bore Type	Cylindrical Bore
Bore Size	65 mm
Fillet Radius/Chamfer	1.5 mm
Dynamic Load Rating	89,000 N
Static Load Rating	77,000 N



NTA PRECISION AXLE CORP.

Limiting Speed - Grease	3,900 rpm
Limiting Speed - Oil	5,300 rpm
Radial Clearance	0.008 to 0.028 mm
da	74 mm111 mm
Dx	131.5 mm
ra	1.5 mm
Cy	6.5 mm