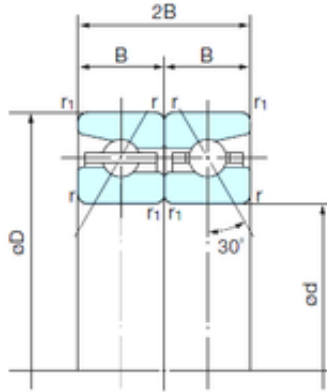




NTA PRECISION AXLE CORP.

110 mm x 170 mm x 27 mm NACHI
110TAH10DB angular contact ball bearings



Bearing No. 110TAH10DB

Size	110x170x27 mm
Bore Diameter	110 mm
Outer Diameter	170 mm
Width	27 mm
d	110 mm
D	170 mm
B	27 mm
Angle (°)	30 °
r min.	2 mm
r1 min.	1 mm
2B	54 mm
Basic dynamic load rating (C)	73 kN
Basic static load rating (C0)	191 kN
(Grease) Lubrication Speed	4300 r/min

110TAH10DB Bearing 2D drawings and 3D CAD models