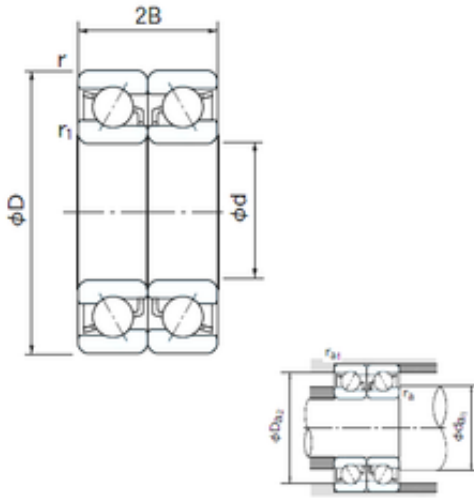




NTA PRECISION AXLE CORP.

160 mm x 290 mm x 48 mm NACHI 7232BDB
angular contact ball bearings

Bearing No. 7232BDB



7232BDB Bearing 2D drawings and 3D CAD models

Size	160x290x48 mm
Bore Diameter	160 mm
Outer Diameter	290 mm
Width	48 mm
d	160 mm
D	290 mm
B	48 mm
C	48 mm
Angle (°)	40 °
a	70.4 mm
r min.	3 mm
r1 min.	1.1 mm
2B	96 mm
da min.	167 mm
Da max.	283 mm
ra max.	1 mm
Weight	13.7 Kg
Basic dynamic load rating (C)	400 kN
Basic static load rating (C0)	575 kN
(Grease) Lubrication Speed	1400 r/min
Bore Type	Cylindrical Bore
Enclosure	Open
Configuration	Duplex
Bore Size	160 mm
Outside Diameter	290 mm



NTA PRECISION AXLE CORP.

Width	48 mm
Fillet Radius/Chamfer	3 mm
r1	1.1 mm
Dynamic Load Rating	400,000 N
Static Load Rating	575,000 N
Limiting Speed - Grease	1,400 rpm
Limiting Speed - Oil	1,800 rpm
da1 (min)	174 mm
da2 (min)	167 mm
Da1 (max)	276 mm
Da2 (max)	283 mm
ra (max)	2.5 mm
ra1 (max)	1 mm