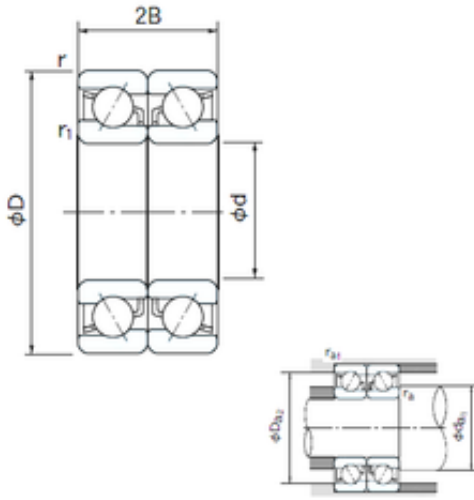




NTA PRECISION AXLE CORP.



170 mm x 260 mm x 42 mm NACHI 7034DB
angular contact ball bearings

Bearing No. 7034DB

7034DB Bearing 2D drawings and 3D CAD models

Size	170x260x42 mm
Bore Diameter	170 mm
Outer Diameter	260 mm
Width	42 mm
d	170 mm
D	260 mm
B	42 mm
C	42 mm
Angle (°)	30 °
a	41.1 mm
r min.	2.1 mm
r1 min.	1.1 mm
2B	84 mm
da min.	179 mm
Da max.	254 mm
ra max.	1 mm
Weight	7.87 Kg
Basic dynamic load rating (C)	291 kN
Basic static load rating (C0)	420 kN
(Grease) Lubrication Speed	1600 r/min
Bore Type	Cylindrical Bore
Enclosure	Open
Configuration	Duplex
Bore Size	170 mm
Outside Diameter	260 mm



NTA PRECISION AXLE CORP.

Width	42 mm
Fillet Radius/Chamfer	2.1 mm
r1	1.1 mm
Dynamic Load Rating	291,000 N
Static Load Rating	420,000 N
Limiting Speed - Grease	1,600 rpm
Limiting Speed - Oil	2,100 rpm
da1 (min)	179 mm
da2 (min)	179 mm
Da1 (max)	251 mm
Da2 (max)	254 mm
ra (max)	2 mm
ra1 (max)	1 mm