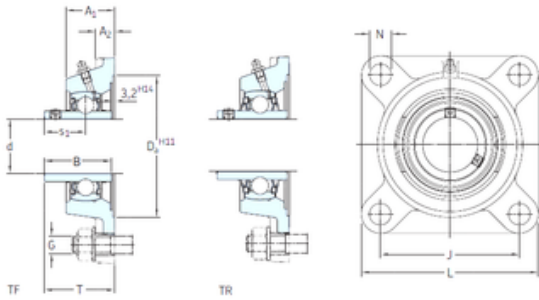




# NTA PRECISION AXLE CORP.

## SKF FY 2.3/4 TF bearing units

Bearing No. FY 2.3/4 TF



Bore Diameter	69,85 mm
Width	73,1 mm
d	69,85 mm
s1	46,1 mm
A1	65,1 mm
B	73,1 mm
G	20 mm
J	152,4 mm
L	197 mm
T	87,4 mm
A2	19 mm
Weight	6,1 Kg
Basic dynamic load rating (C)	66,3 kN
Basic static load rating (C0)	49 kN
Fatigue load limit (Pu)	2,04

FY 2.3/4 TF Bearing 2D drawings and 3D CAD models