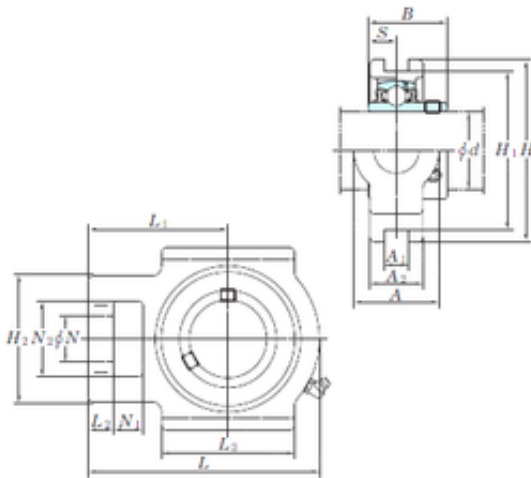




NTA PRECISION AXLE CORP.

KOYO UCT308-24 bearing units

Bearing No. UCT308-24



UCT308-24 Bearing 2D drawings and 3D CAD models

Bore Diameter	38,1 mm
d	38,1 mm
L2	17 mm
L3	89 mm
A	50 mm
A1	18 mm
B	52 mm
H	124 mm
H1	112 mm
H2	83 mm
L	162 mm
L1	100 mm
N	32 mm
N1	22 mm
S	19 mm
A2	34 mm
N2	50 mm
Weight	3 Kg
Basic dynamic load rating (C)	40,7 kN
Basic static load rating (C0)	24 kN