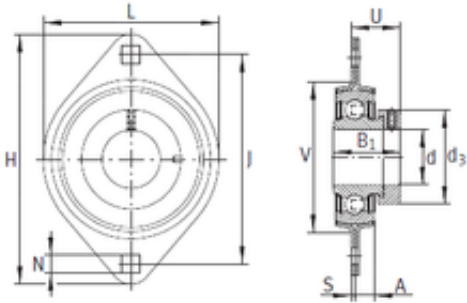




NTA PRECISION AXLE CORP.

INA RAT12 bearing units



RAT12 Bearing 2D drawings and 3D CAD models

Bearing No. RAT12

Bore Diameter	12 mm
d	12 mm
V	48 mm
U	24 mm
d3	28 mm
A	7 mm
B1	28,6 mm
H	81 mm
J	63,5 mm
L	58,7 mm
N	7,1 mm
S	2 mm
Category	Bearings
Inventory	0.0
Manufacturer Name	SCHAEFFLER GROUP
Minimum Buy Quantity	N/A
Weight / Kilogram	0.19
Product Group	M06110