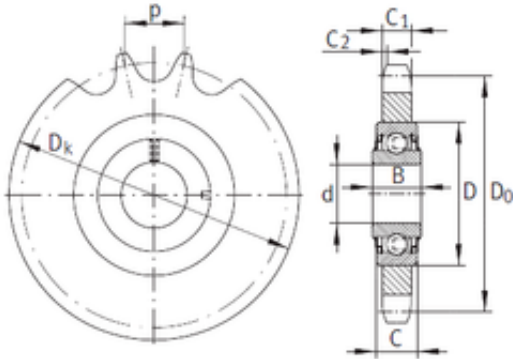




NTA PRECISION AXLE CORP.

16,2 mm x 40 mm x 18,3 mm INA
KSR16-L0-08-10-16-08 bearing units



Bearing No. KSR16-L0-08-10-16-08

Size	16.2x40x18.3 mm
Bore Diameter	16,2 mm
Outer Diameter	40 mm
Width	18,3 mm
d	16,2 mm
D	40 mm
B	18,3 mm
Number of teeth	16
Do	65,1 mm
Dk	70,5 mm
C	12 mm
C1	7 mm
C2	1,1 mm
Weight	0,16 Kg

KSR16-L0-08-10-16-08 Bearing 2D drawings and 3D CAD models