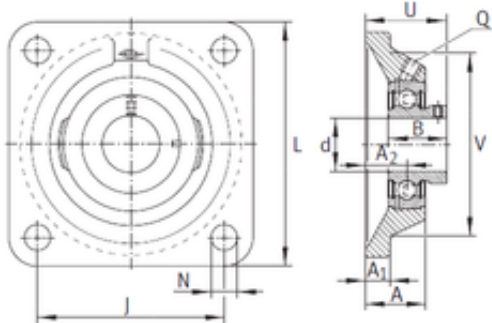




NTA PRECISION AXLE CORP.

INA PCJY20-N bearing units



PCJY20-N Bearing 2D drawings and 3D CAD models

Bearing No. PCJY20-N

Bore Diameter	20 mm
d	20 mm
V	68 mm
U	37 mm
Thread (Q)	Rp1/8
A	29 mm
A1	10 mm
B	25 mm
J	63,5 mm
L	86 mm
N	11,5 mm
A2	19 mm
Weight	0,56 Kg
Basic dynamic load rating (C)	12,8 kN
Category	Flange Block Bearings
Inventory	0.0
Manufacturer Name	SCHAEFFLER GROUP
Minimum Buy Quantity	N/A
Weight / Kilogram	0.7
EAN	4012802823844
Product Group	M06110
Number of Mounting Holes	4
Mounting Method	Set Screw
Housing Style	4 Bolt Square Flange Block
Rolling Element	Ball Bearing
Housing Material	Cast Iron



NTA PRECISION AXLE CORP.

Expansion / Non-expansion	Non-expansion
Mounting Bolts	11.5 Millimeter
Relubricatable	Yes
Insert Part Number	GAY20NPPB
Seals	Double Lip Contact
Housing Configuration	1 Piece Solid
Pilot Configuration	No Pilot
Inch - Metric	Metric
Long Description	4 Bolt Square Flange Block; 20MM Bore; 90MM Bolt Circle; 63.5MM Bolt Spacing; 1 Piece Solid; Set Screw Mount; Cast Iron; Ball Bearing; 25MM Length Thru Bore; Relubricatable; Double Lip Contact Seal
Other Features	Single Row Radial Metric With Grub Screw
Category	Flange Block
UNSPSC	31171501
Harmonized Tariff Code	8483.20.40.40
Noun	Bearing
Keyword String	Flanged
Manufacturer URL	http://www.ina.com
Manufacturer Item Number	PCJY20
Weight / LBS	1.544
Nominal Bolt Circle Diameter Round	3.5 Inch 90 Millimeter
Cartridge Pilot Diameter	0 Inch 0 Millimeter
Bolt Spacing	2.5 Inch 63.5 Millimeter
Length Thru Bore	0.984 Inch 25 Millimeter
Bore	0.787 Inch 20 Millimeter