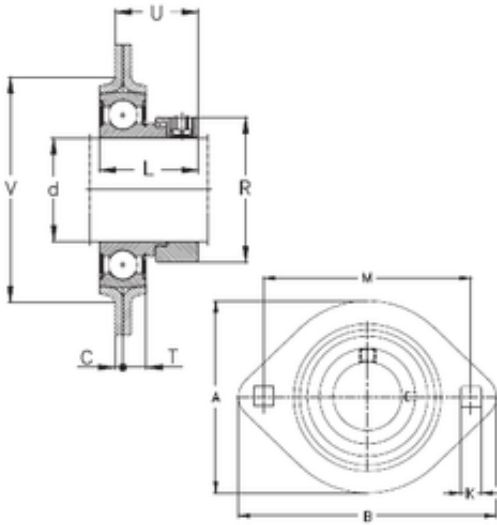




NTA PRECISION AXLE CORP.

NKE RALT20 bearing units

Bearing No. RALT20



RALT20 Bearing 2D drawings and 3D CAD models

Bore Diameter	20 mm
d	20 mm
V	48 mm
U	20,6 mm
A	58,7 mm
B	81 mm
C	2 mm
K	7,1 mm
L	24,6 mm
M	63,5 mm
R	30 mm
T	7 mm