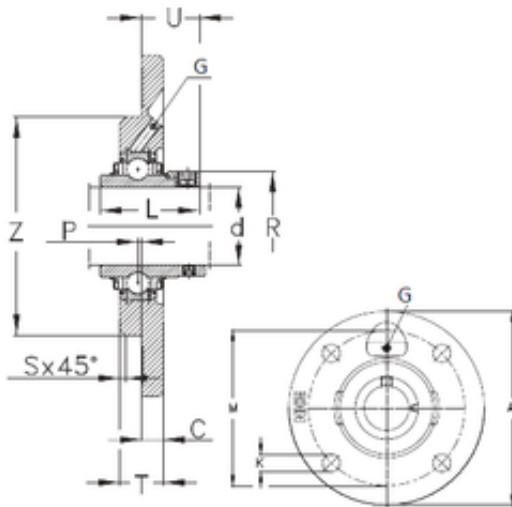




NTA PRECISION AXLE CORP.

NKE RME30-N bearing units

Bearing No. RME30-N



RME30-N Bearing 2D drawings and 3D CAD models

Bore Diameter	30 mm
d	30 mm
P	2 mm
U	28,1 mm
K	11,5 mm
Z	80 mm
A	125 mm
C	9,5 mm
L	48,4 mm
M	100 mm
R	44 mm
S	2 mm
T	20,5 mm
Thread (G)	M6