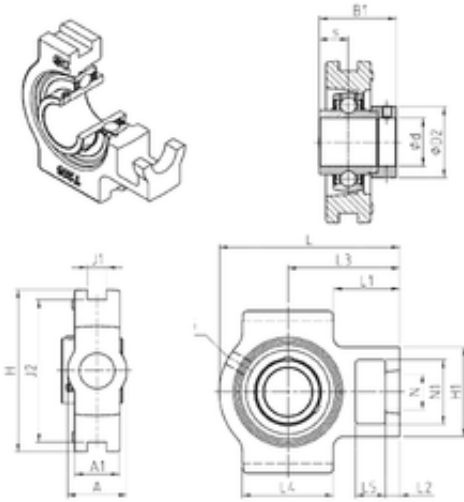




NTA PRECISION AXLE CORP.

SNR EXT213 bearing units

Bearing No. EXT213



EXT213 Bearing 2D drawings and 3D CAD models

Bore Diameter	65 mm
d	65 mm
L4	121 mm
L5	32 mm
L2	21 mm
L3	137 mm
s	34,1 mm
A	70 mm
A1	44 mm
B1	85,7 mm
D2	86 mm
H	167 mm
H1	111 mm
L	224 mm
L1	76,5 mm
N	41 mm
N1	70 mm
Thread (G)	M6x1
J1	26 mm
J2	151 mm
Weight	7,3 Kg
Basic dynamic load rating (C)	57,2 kN
A2	44 mm
B	68.2 mm
A5	34.1 mm
d1	86 mm



NTA PRECISION AXLE CORP.

G	M6x1
H2	111 mm
N2	70 mm
s1	57.6 mm
S	34.1 mm
SW	5 mm
C	57.2 kN
C0	40 kN
T min.	-20 ° C
T max.	100 ° C
Recommended tightening torque for set screw	22 Nm
Designation of housing	T213-
Designation of bearing	EX213G2