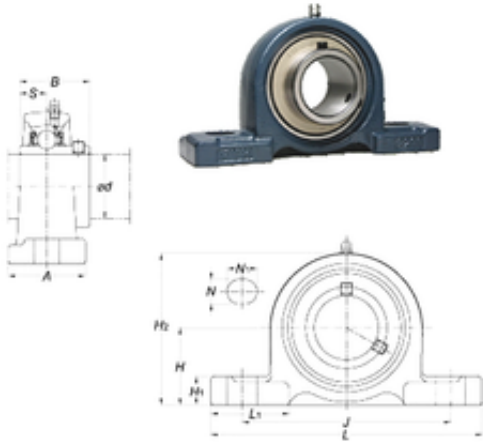




# NTA PRECISION AXLE CORP.

## FYH UCP318 bearing units



Bearing No. UCP318

Bore Diameter	90 mm
Width	96 mm
d	90 mm
A	110 mm
B	96 mm
H	118 mm
H1	40 mm
H2	234 mm
J	330 mm
L	430 mm
L1	120 mm
N	33 mm
N1	45 mm
S	40 mm
Bolt (G)	M27
Weight	22,8 Kg
Basic dynamic load rating (C)	143 kN
Basic static load rating (C0)	107 kN
Category	Mounted Units & Inserts
Inventory	0.0
Manufacturer Name	FYH BEARING UNITS
Minimum Buy Quantity	N/A
Weight / Kilogram	0
Product Group	M06110

UCP318 Bearing 2D drawings and 3D CAD models