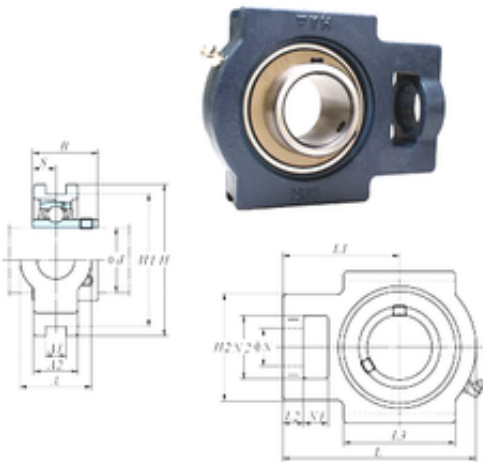




NTA PRECISION AXLE CORP.

FYH UCT216-50E bearing units

Bearing No. UCT216-50E



UCT216-50E Bearing 2D drawings and 3D CAD models

Bore Diameter	79,375 mm
d	79,375 mm
L2	21 mm
L3	121 mm
A	70 mm
A1	27 mm
B	82,6 mm
H	184 mm
H1	165 mm
H2	111 mm
L	235 mm
L1	140 mm
N	41 mm
N1	32 mm
S	33,3 mm
A2	51 mm
N2	70 mm
Weight	8,2 Kg
Basic dynamic load rating (C)	72,7 kN
Basic static load rating (C0)	53 kN