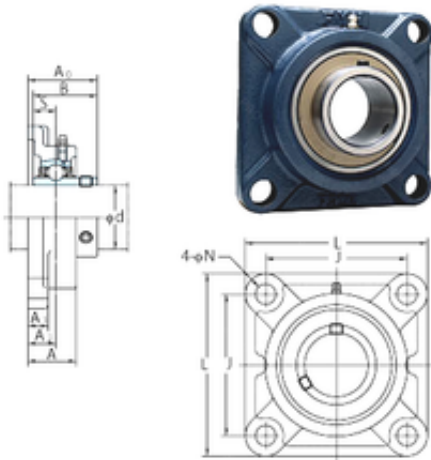




NTA PRECISION AXLE CORP.

FYH UCFX05-16E bearing units

Bearing No. UCFX05-16E



UCFX05-16E Bearing 2D drawings and 3D CAD models

Bore Diameter	25,4 mm
d	25,4 mm
A0	40,2 mm
A	30 mm
A1	13 mm
B	38,1 mm
J	83 mm
L	108 mm
N	11,5 mm
S	15,9 mm
Bolt (G)	3/8
A2	18 mm
Weight	1,2 Kg
Basic dynamic load rating (C)	19,5 kN
Basic static load rating (C0)	11,3 kN