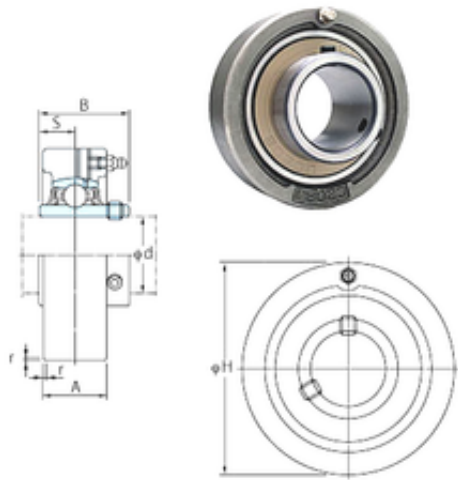




NTA PRECISION AXLE CORP.

FYH UCC202 bearing units



Bearing No. UCC202

Bore Diameter	15 mm
Width	31 mm
d	15 mm
r	1,5 mm
A	20 mm
B	31 mm
H	72 mm
S	12,7 mm
Weight	0,5 Kg
Basic dynamic load rating (C)	12,8 kN
Basic static load rating (C0)	6,65 kN
Category	Cartridge Unit Bearings
Inventory	0.0
Manufacturer Name	FYH BEARING UNITS
Minimum Buy Quantity	N/A
Weight / Kilogram	0.499
Product Group	M06110
Mounting Method	Set Screw
Housing Style	Cartridge Unit
Housing Material	Cast Iron
Rolling Element	Ball Bearing
Expansion / Non-expansion	Non-expansion
Relubricatable	Yes
Insert Part Number	UC202
Seals	Double Lip Contact
Other Features	Single Row Normal Duty

UCC202 Bearing 2D drawings and 3D CAD models



NTA PRECISION AXLE CORP.

	Has Slinger
Long Description	15MM Bore; 72MM Outside Diameter; 20MM Cartridge Housing Width; Set Screw; Cartridge Unit; Cast Iron; Ball Bearing; 31MM Length Thru Bore; Relubricatable; UC202 Insert; Double Lip Contact; Non-expansi
Inch - Metric	Metric
Category	Mounted Cartridge Units
UNSPSC	31171535
Harmonized Tariff Code	8483.20.40.40
Noun	Bearing
Keyword String	Cartridge
Manufacturer URL	http://www.fyhbearings.com
Manufacturer Item Number	UCC202
Weight / LBS	1.102
Bore	0.591 Inch 15 Millimeter
Length Thru Bore	1.22 Inch 31 Millimeter
Cartridge Housing Width	0.787 Inch 20 Millimeter
Outside Diameter	2.835 Inch 72 Millimeter