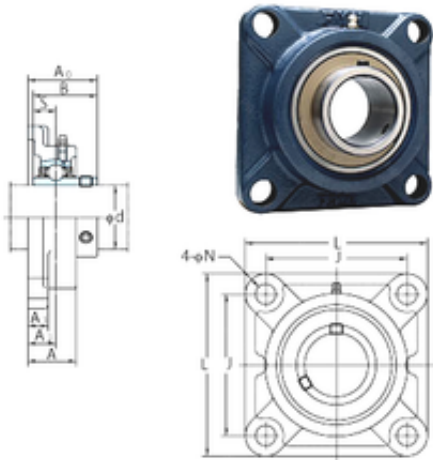




# NTA PRECISION AXLE CORP.

## FYH UCF205-14E bearing units

Bearing No. UCF205-14E



UCF205-14E Bearing 2D drawings and 3D CAD models

Bore Diameter	22,225 mm
d	22,225 mm
A0	35,8 mm
A	27 mm
A1	13 mm
B	34,1 mm
J	70 mm
L	95 mm
N	11,5 mm
S	14,3 mm
Bolt (G)	3/8
A2	16 mm
Weight	0,83 Kg
Basic dynamic load rating (C)	14 kN
Basic static load rating (C0)	7,85 kN