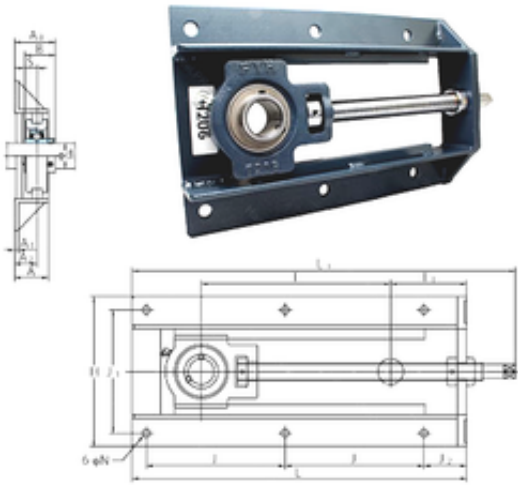




NTA PRECISION AXLE CORP.

FYH UCTH204-150 bearing units

Bearing No. UCTH204-150



UCTH204-150 Bearing 2D drawings and 3D CAD models

Bore Diameter	20 mm
Width	88 mm
d	20 mm
A0	46,3 mm
T1	88 mm
A	50 mm
A1	6 mm
B	31 mm
H	200 mm
J	117 mm
L	318 mm
L1	376 mm
N	12 mm
S	12,7 mm
T	153 mm
Bolt (G)	M10
A2	28 mm
J1	154 mm
J2	65 mm
Weight	6,7 Kg
Basic dynamic load rating (C)	12,8 kN
Basic static load rating (C0)	6,65 kN