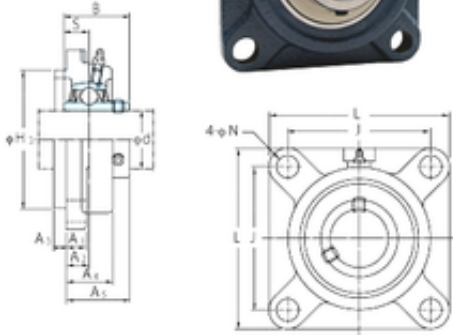




NTA PRECISION AXLE CORP.

FYH UCFS312 bearing units

Bearing No. UCFS312



UCFS312 Bearing 2D drawings and 3D CAD models

Bore Diameter	60 mm
d	60 mm
H3	160 mm
A4	42 mm
A5	64 mm
A1	22 mm
B	71 mm
J	150 mm
L	195 mm
N	23 mm
S	26 mm
Bolt (G)	M20
A2	19 mm
A3	14 mm
Weight	7,4 Kg
Basic dynamic load rating (C)	81,9 kN
Basic static load rating (C0)	52,2 kN