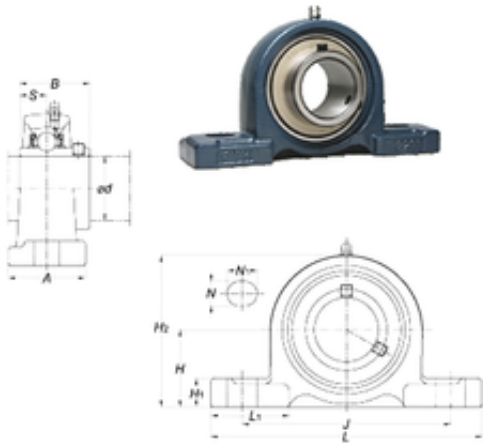




NTA PRECISION AXLE CORP.

FYH UCP213 bearing units



Bearing No. UCP213

Bore Diameter	65 mm
Width	65,1 mm
d	65 mm
A	70 mm
B	65,1 mm
H	76,2 mm
H1	25 mm
H2	150 mm
J	203 mm
L	265 mm
L1	78 mm
N	25 mm
N1	30 mm
S	25,4 mm
Bolt (G)	M20
Weight	5,9 Kg
Basic dynamic load rating (C)	57,2 kN
Basic static load rating (C0)	40,1 kN
Category	Mounted Units & Inserts
Inventory	0.0
Manufacturer Name	FYH BEARING UNITS
Minimum Buy Quantity	N/A
Weight / Kilogram	0
Product Group	M06110

UCP213 Bearing 2D drawings and 3D CAD models