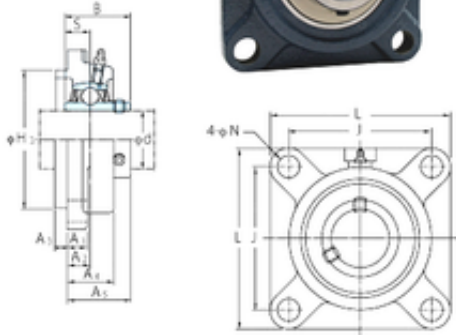




# NTA PRECISION AXLE CORP.

## FYH UCFS308-24 bearing units

Bearing No. UCFS308-24



UCFS308-24 Bearing 2D drawings and 3D CAD models

Bore Diameter	38,1 mm
d	38,1 mm
H3	115 mm
A4	30 mm
A5	46 mm
A1	17 mm
B	52 mm
J	112 mm
L	150 mm
N	19 mm
S	19 mm
Bolt (G)	M16
A2	13 mm
A3	10 mm
Weight	3,4 Kg
Basic dynamic load rating (C)	40,7 kN
Basic static load rating (C0)	24 kN