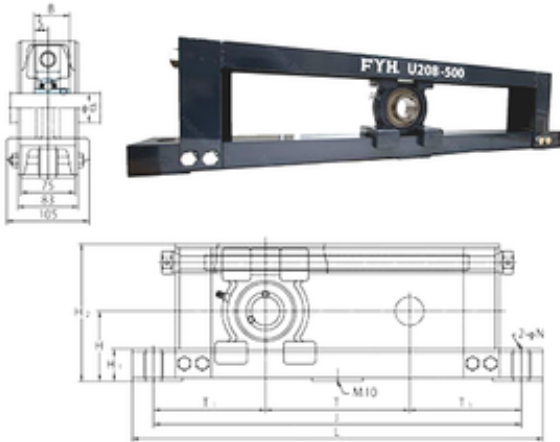




NTA PRECISION AXLE CORP.

FYH UCTU208-900 bearing units

Bearing No. UCTU208-900



UCTU208-900 Bearing 2D drawings and 3D CAD models

Bore Diameter	40 mm
Width	49,2 mm
d	40 mm
T1	155 mm
B	49,2 mm
H	97 mm
H1	44 mm
H2	190 mm
J	1210 mm
L	1270 mm
N	22 mm
S	19 mm
T	900 mm
Bolt (G)	M18
Weight	28 Kg
Basic dynamic load rating (C)	29,1 kN
Basic static load rating (C0)	17,8 kN