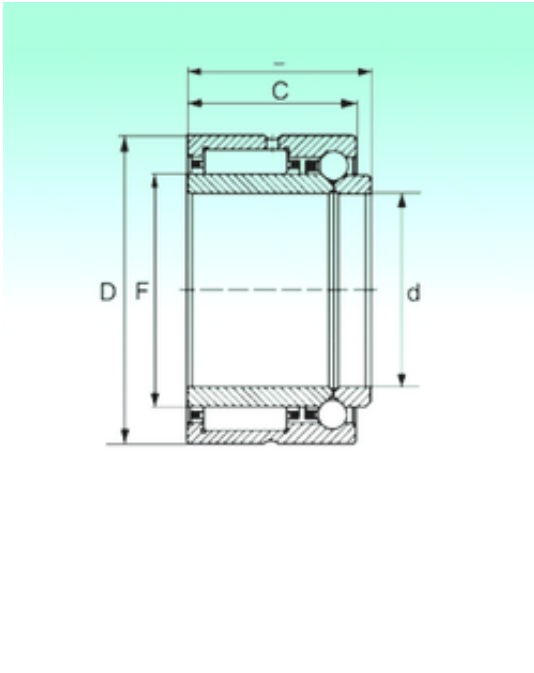




# NTA PRECISION AXLE CORP.



NKIB 5911 Bearing 2D drawings and 3D CAD models

55 mm x 80 mm x 38 mm NBS NKIB 5911 complex bearings

Bearing No. NKIB 5911

Size	55x80x38 mm
Bore Diameter	55 mm
Outer Diameter	80 mm
Width	38 mm
d	55 mm
F	63 mm
D	80 mm
B	38 mm
C	34 mm
Weight	0,555 Kg
Dynamic load rating radial (C)	55,1 kN
Dynamic load rating axial (C)	9,215 kN
Static load rating radial (C0)	95 kN
Static load rating axial (C0)	18,24 kN