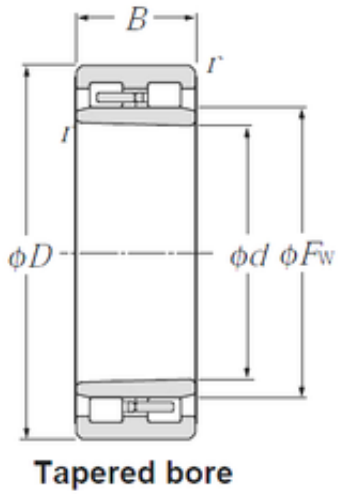




NTA PRECISION AXLE CORP.



500 mm x 670 mm x 170 mm NTN NNU49/500K cylindrical roller bearings

Bearing No. NNU49/500K

Size	500x670x170 mm
Bore Diameter	500 mm
Outer Diameter	670 mm
Width	170 mm
d	500 mm
Fw	556 mm
D	670 mm
B	170 mm
C	170 mm
r min.	5 mm
Weight	155 Kg
Basic dynamic load rating (C)	2 360 kN
Basic static load rating (C0)	6 200 kN
(Grease) Lubrication Speed	730 r/min

NNU49/500K Bearing 2D drawings and 3D CAD models