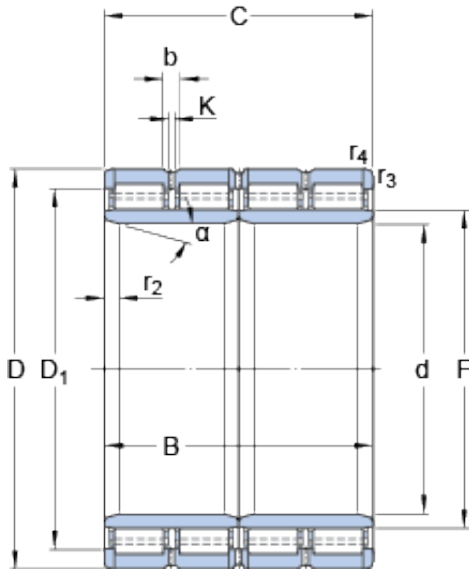




# NTA PRECISION AXLE CORP.



761.425 mm x 1079.602 mm x 787.4 mm SKF  
312967 E cylindrical roller bearings

Bearing No. 312967 E

312967 E Bearing 2D drawings and 3D CAD models

Size	1079.602x761.425x787.4 mm
Bore Diameter	1079,602 mm
Outer Diameter	761,425 mm
Width	787,4 mm
d	761.425 mm
D	1079.602 mm
B	787.4 mm
C	787.4 mm
D <sub>1</sub>	974 mm
F	846 mm
b	22.3 mm
K	12 mm
r <sub>1,2</sub> - min.	19 mm
	20 °
r <sub>3,4</sub> - min.	7.5 mm
Basic dynamic load rating - C	23800 kN
Basic static load rating - C <sub>0</sub>	65500 kN
Fatigue load limit - P <sub>u</sub>	4400 kN
Calculation factor - k <sub>r</sub>	760
Mass bearing	2400 kg
Design variant/feature	BC4.10/W33WI
D <sub>1</sub>	974 mm
r <sub>1,2</sub> min.	19 mm



## NTA PRECISION AXLE CORP.

	20 °
$r_{3,4}$ min.	7.5 mm
Basic dynamic load rating C	23800 kN
Basic static load rating $C_0$	65500 kN
Fatigue load limit $P_u$	4400 kN
Calculation factor $k_r$	760