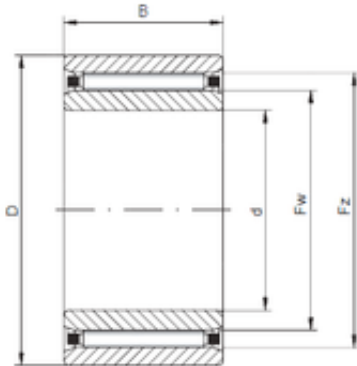




NTA PRECISION AXLE CORP.

50 mm x 68 mm x 20 mm ISO NAO50x68x20
cylindrical roller bearings



Bearing No. NAO50x68x20

Size	50x68x20 mm
Bore Diameter	50 mm
Outer Diameter	68 mm
Width	20 mm
d	50 mm
Fw	55 mm
D	68 mm
Ew	60 mm
B	20 mm
C	20 mm

NAO50x68x20 Bearing 2D drawings and 3D CAD models