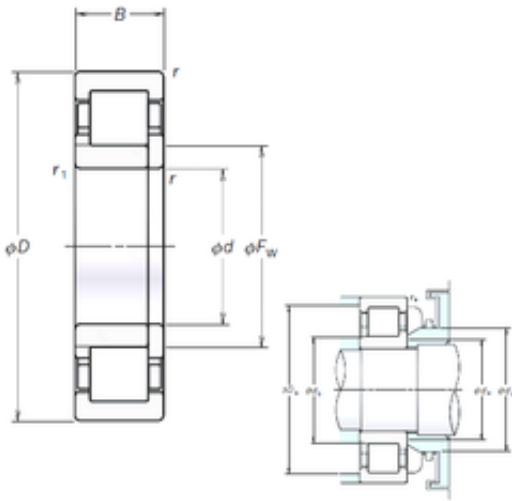




NTA PRECISION AXLE CORP.



200 mm x 360 mm x 98 mm NSK NUP2240EM cylindrical roller bearings

Bearing No. NUP2240EM

NUP2240EM Bearing 2D drawings and 3D CAD models

Size	200x360x98 mm
Bore Diameter	200 mm
Outer Diameter	360 mm
Width	98 mm
d	200 mm
Fw	241 mm
D	360 mm
B	98 mm
C	98 mm
r min.	4 mm
r1 min.	4 mm
da min.	216 mm
Da max.	344 mm
db max.	235 mm
db min	216 mm
ra max.	3 mm
rb max.	3 mm
S	2,2 mm
Db max	344 mm
Weight	46,1 Kg
Basic dynamic load rating (C)	1220 kN
Basic static load rating (C0)	1870 kN
(Grease) Lubrication Speed	1500 r/min
hidYobi	NUP2240EM
LangID	1



NTA PRECISION AXLE CORP.

D_	360
Macha rpm	2200
B_	98
hidTable	ecat_NSCLDR
Oil rpm	1800
rb	3
mass	47.2
GRS rpm	1500
ra	3
db max	236
TSR rpm	1800
C0	1870
DE_	325
Prod_Type3	CRB_SR_NUP
da	216
DA_	42
Z_	18
D_a max	344
yobi	NUP2240EM
dd min	261
C_conv	1220000
ALPHA_	0
SDM_	283
r	4
dc min	247
KBRG	4165
SBRG	22
r1	4
DI_	241