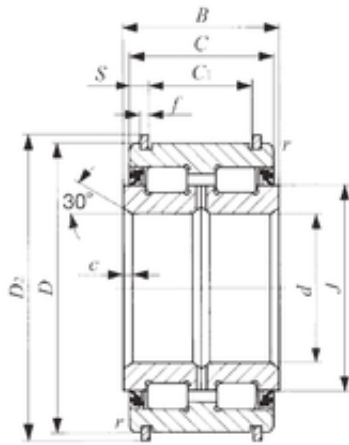




NTA PRECISION AXLE CORP.

340 mm x 520 mm x 243 mm IKO NAS 5068UU cylindrical roller bearings



Bearing No. NAS 5068UU

Size	340x520x243 mm
Bore Diameter	340 mm
Outer Diameter	520 mm
Width	243 mm
d	340 mm
D	520 mm
B	243 mm
C	241 mm
c	6 mm
r min.	2,5 mm
J	404 mm
Weight	180 Kg
Basic dynamic load rating (C)	3370 kN
Basic static load rating (C0)	7560 kN

NAS 5068UU Bearing 2D drawings and 3D CAD models