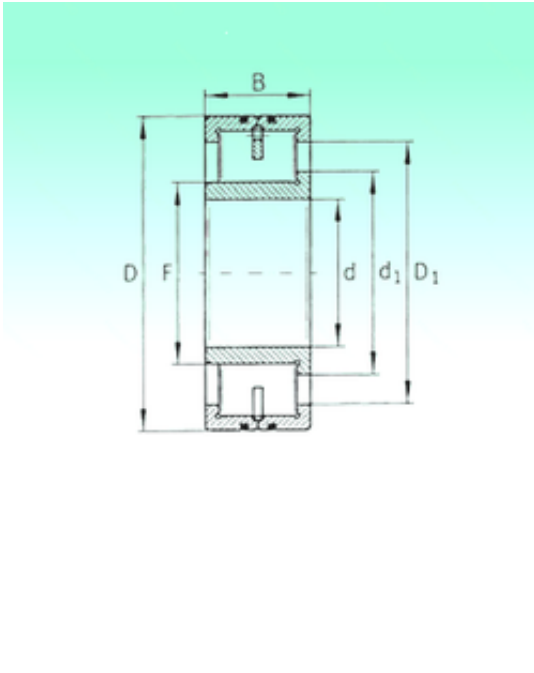




NTA PRECISION AXLE CORP.



LSL192352 Bearing 2D drawings and 3D CAD models

260 mm x 540 mm x 165 mm NBS LSL192352 cylindrical roller bearings

Bearing No. LSL192352

Size	260x540x165 mm
Bore Diameter	260 mm
Outer Diameter	540 mm
Width	165 mm
d	260 mm
F	315,6 mm
D	540 mm
B	165 mm
C	165 mm
d1	351,6 mm
D1	457,2 mm
S	10 mm
Weight	168 Kg
Basic dynamic load rating (C)	3400 kN
Basic static load rating (C0)	4400 kN