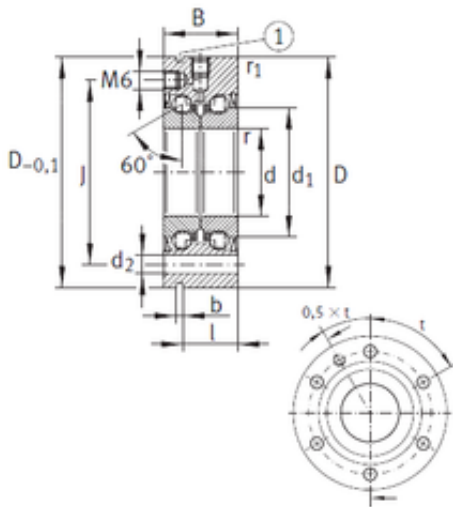




NTA PRECISION AXLE CORP.



35 mm x 90 mm x 34 mm INA ZKLF3590-2RS thrust ball bearings

Bearing No. ZKLF3590-2RS

ZKLF3590-2RS Bearing 2D drawings and 3D CAD models

Size	35x90x34 mm
Bore Diameter	35 mm
Outer Diameter	90 mm
Width	34 mm
d	35 mm
D	90 mm
B	34 mm
C	34 mm
Screw	4
l	25 mm
Angle (?)	60 °
b	3 mm
d1	52 mm
d2	8,8 mm
r min.	0,3 mm
r1 min.	0,6 mm
J	75 mm
Bolt (G)	M8
Weight	1,13 Kg
Basic dynamic load rating (C)	41 kN
Basic static load rating (C0)	89 kN
Category	Angular Contact Ball Bearings
Inventory	0.0
Manufacturer Name	SCHAEFFLER GROUP



NTA PRECISION AXLE CORP.

Minimum Buy Quantity	N/A
Weight / Kilogram	1.353
EAN	4012802078770
Product Group	B00152
Enclosure	2 Seals
Flush Ground	No
Rolling Element	Ball Bearing
Number of Rows of Balls	Double Row
Precision Class	ABEC 1 ISO P0
Maximum Capacity / Filling Slot	No
Snap Ring	Yes
Cage Material	Plastic
Contact Angle	60 Degree
Internal Clearance	C0-Medium
Number of Bearings	1 (Single)
Inch - Metric	Metric
Long Description	35MM Bore; 90MM Outside Diameter; 34MM Width; 2 Seals; No Flush Ground; Ball Bearing; Double Row of Balls; ABEC 1 ISO P0; No Filling Slot; Yes Snap Ring; C0-Medium; Plastic Cage; 60 Degree; 1 (Singl
Other Features	With Fixing Holes With Snap Ring Groove
Category	Angular Contact Ball Bearing
UNSPSC	31171531
Harmonized Tariff Code	8482.10.50.28
Noun	Bearing
Keyword String	Angular Contact
Manufacturer URL	http://www.ina.com
Weight / LBS	2.49122



NTA PRECISION AXLE CORP.

Bore	1.378 Inch 35 Millimeter
Outside Diameter	3.543 Inch 90 Millimeter
Width	1.339 Inch 34 Millimeter