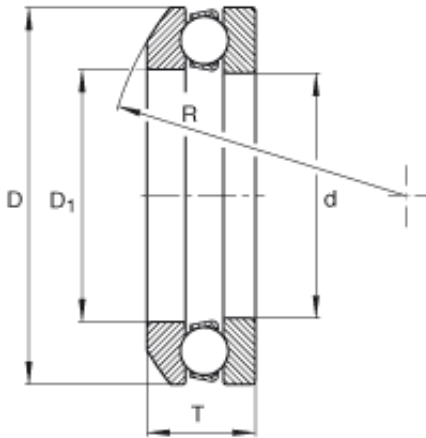




# NTA PRECISION AXLE CORP.



4121 Bearing 2D drawings and 3D CAD models

## INA 4121 thrust ball bearings

Bearing No. 4121

Size	105x155x46 mm
Bore Diameter	105 mm
Outer Diameter	155 mm
Width	46 mm
d	4,134 inch
d	105 mm
D	6,102 inch
D	155 mm
T	1,811 inch
T	46 mm
D <sub>1</sub>	4,252 inch
R	130 mm
m	6,476 lbs / Weight
m	2,937 kg / Weight
C <sub>a</sub>	38000 lbf / Dynamic load rating (axial)
C <sub>a</sub>	169000 N / Dynamic load rating (axial)
C <sub>0a</sub>	99000 lbf / Static load rating (axial)
C <sub>0a</sub>	440000 N / Static load rating (axial)
Category	Thrust Ball Bearing
Inventory	0.0
Manufacturer Name	SCHAEFFLER GROUP
Minimum Buy Quantity	N/A
Weight / Kilogram	1.361



## NTA PRECISION AXLE CORP.

EAN	4047643199186
Product Group	B00308
Rolling Element	Ball Bearing
Thrust Bearing	Yes
Single or Double Direction	Single Direction
Banded	No
Cage Material	Steel
Precision Class	ABEC 1   ISO P0
Component Description	Roller Assembly Plus Raceways
Optional Components	Order 4121AW Aligning Washer Separately
Other Features	Single Row   Deep Groove   Medium Cross Section   Grooved Race   Separable
Long Description	105MM Bore 1; 108.001MM Bore 2; 155MM Outside Diameter; 46MM Height; Ball Bearing; Single Direction; Not Banded; Steel Cage; ABEC 1   ISO P0 Precision
Inch - Metric	Metric
Category	Thrust Ball Bearings
UNSPSC	31171507
Harmonized Tariff Code	8482.10.50.08
Noun	Bearing
Keyword String	Ball Thrust
Manufacturer URL	<a href="http://www.ina.com">http://www.ina.com</a>
Manufacturer Item Number	4121HLG
Weight / LBS	6.476
Outside Diameter	6.102 Inch   155 Millimeter
Height	1.811 Inch   46 Millimeter
Bore 1	4.134 Inch   105 Millimeter
Overall Height with Aligning Washer	0 Inch   0 Millimeter



## NTA PRECISION AXLE CORP.

Bore 2	4.252 Inch   108.001 Millimeter
--------	------------------------------------