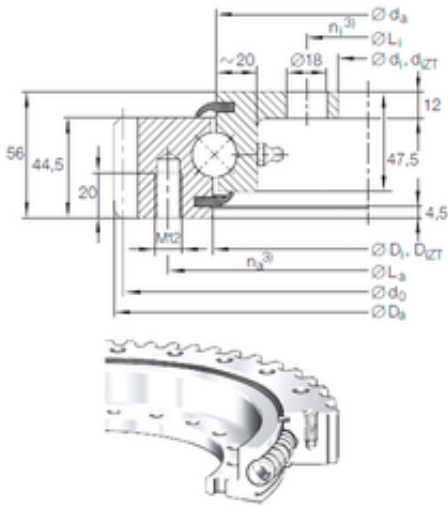




# NTA PRECISION AXLE CORP.

## INA VLA 20 1094 N thrust ball bearings

Bearing No. VLA 20 1094 N



VLA 20 1094 N Bearing 2D drawings and 3D CAD models

Bore Diameter	984 mm
Outer Diameter	1198,1 mm
d	984 mm
D	1198,1 mm
Da	1198,1 mm
Z	148 mm
m	8 mm
di	984 mm
diZT	986 mm
Di	1095,5 mm
DiZT	1097 mm
da	1092,5 mm
La	1135 mm
na	22 mm
ni	20 mm
Li	1012 mm
d0	1184 mm
Weight	83,5 Kg
Dynamic load rating radial (C)	160 kN
Dynamic load rating axial (C)	244 kN
Static load rating radial (C0)	290 kN