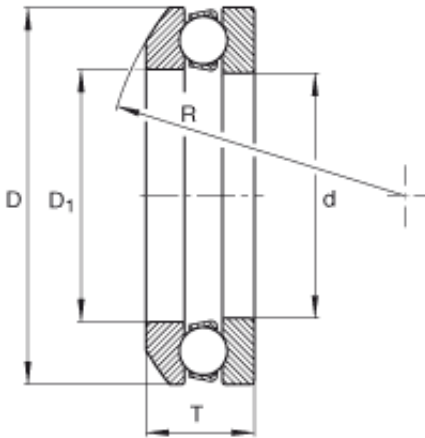




NTA PRECISION AXLE CORP.

INA 505 thrust ball bearings

Bearing No. 505



505 Bearing 2D drawings and 3D CAD models

Size	25x58x30 mm
Bore Diameter	25 mm
Outer Diameter	58 mm
Width	30 mm
d	0,984 inch
d	25 mm
D	2,284 inch
D	58 mm
T	1,181 inch
T	30 mm
D ₁	1,063 inch
D ₁	27 mm
R	45 mm
m	0,891 lbs / Weight
m	0,404 kg / Weight
C _a	14600 lbf / Dynamic load rating (axial)
C _a	65000 N / Dynamic load rating (axial)
C _{0a}	22500 lbf / Static load rating (axial)
C _{0a}	100000 N / Static load rating (axial)
Category	Thrust Ball Bearing
Inventory	0.0
Manufacturer Name	SCHAEFFLER GROUP
Minimum Buy Quantity	N/A



NTA PRECISION AXLE CORP.

Weight / Kilogram	0.489
Product Group	B00308
Rolling Element	Ball Bearing
Thrust Bearing	Yes
Single or Double Direction	Single Direction
Banded	No
Cage Material	Steel
Precision Class	ABEC 1 ISO P0
Component Description	Roller Assembly Plus Raceways
Other Features	Single Row
Long Description	25MM Bore 1; 27MM Bore 2; 58MM Outside Diameter; 30MM Height; Ball Bearing; Single Direction; Not Banded; Steel Cage; ABEC 1 ISO P0 Precision
Inch - Metric	Metric
Category	Thrust Ball Bearings
UNSPSC	31171552
Harmonized Tariff Code	8482.10.50.08
Noun	Bearing
Keyword String	Ball Thrust
Manufacturer URL	http://www.ina.com
Weight / LBS	0.891
Overall Height with Aligning Washer	0 Inch 0 Millimeter
Height	1.181 Inch 30 Millimeter
Bore 1	0.984 Inch 25 Millimeter
Outside Diameter	2.283 Inch 58 Millimeter
Bore 2	1.063 Inch 27 Millimeter