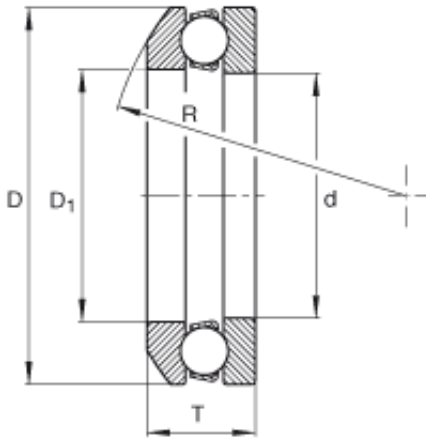




NTA PRECISION AXLE CORP.



4113 Bearing 2D drawings and 3D CAD models

INA 4113 thrust ball bearings

Bearing No. 4113

Size	65x100x32 mm
Bore Diameter	65 mm
Outer Diameter	100 mm
Width	32 mm
d	2,559 inch
d	65 mm
D	3,937 inch
D	100 mm
T	1,26 inch
T	32 mm
D ₁	2,638 inch
R	80 mm
m	1,985 lbs / Weight
m	0,9 kg / Weight
C _a	14800 lbf / Dynamic load rating (axial)
C _a	66000 N / Dynamic load rating (axial)
C _{0a}	36000 lbf / Static load rating (axial)
C _{0a}	158000 N / Static load rating (axial)
Category	Thrust Ball Bearing
Inventory	0.0
Manufacturer Name	SCHAEFFLER GROUP
Minimum Buy Quantity	N/A
Weight / Kilogram	0.978



NTA PRECISION AXLE CORP.

Product Group	B00308
Rolling Element	Ball Bearing
Thrust Bearing	Yes
Single or Double Direction	Single Direction
Banded	No
Cage Material	Steel
Precision Class	ABEC 1 ISO P0
Component Description	Roller Assembly Plus Raceways
Other Features	Single Row
Long Description	65MM Bore 1; 67MM Bore 2; 100MM Outside Diameter; 32MM Height; Ball Bearing; Single Direction; Not Banded; Steel Cage; ABEC 1 ISO P0 Precision
Inch - Metric	Metric
Category	Thrust Ball Bearings
UNSPSC	31171552
Harmonized Tariff Code	8482.10.50.08
Noun	Bearing
Keyword String	Ball Thrust
Manufacturer URL	http://www.ina.com
Weight / LBS	1.985
Bore 1	2.559 Inch 65 Millimeter
Height	1.26 Inch 32 Millimeter
Outside Diameter	3.937 Inch 100 Millimeter
Bore 2	2.638 Inch 67 Millimeter
Overall Height with Aligning Washer	0 Inch 0 Millimeter