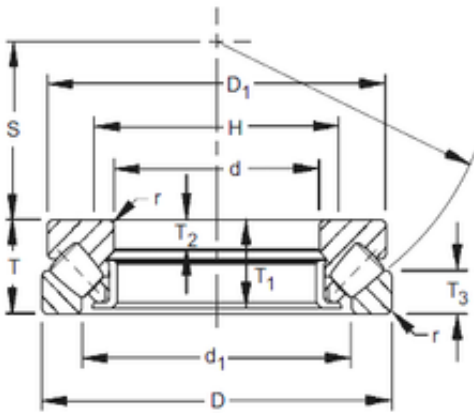




# NTA PRECISION AXLE CORP.

## 380 mm x 820 mm x 100 mm Timken 29576 thrust roller bearings

Bearing No. 29576



29576 Bearing 2D drawings and 3D CAD models

Size	380x820x265 mm
Bore Diameter	380 mm
Outer Diameter	820 mm
Width	265 mm
d	380 mm
D	820 mm
T	265 mm
B	100 mm
C	128 mm
r max	9,1 mm
T1	226 mm
d1	570 mm
D1	780 mm
H	578 mm
S	241 mm