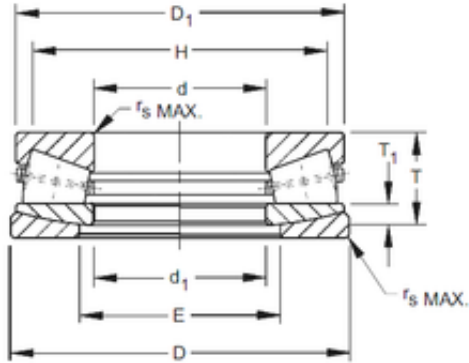




NTA PRECISION AXLE CORP.

Timken B-7976-C thrust roller bearings



Bearing No. B-7976-C

| | |
|----------------|-----------------------|
| Size | 184.15x406.4x203.2 mm |
| Bore Diameter | 184,15 mm |
| Outer Diameter | 406,4 mm |
| Width | 203,2 mm |
| d | 184,15 mm |
| D | 406,4 mm |
| T | 203,2 mm |
| r max | 6,1 mm |
| T1 | 66,68 mm |
| d1 | 187,32 mm |
| D1 | 404,81 mm |
| E | 228,6 mm |
| H | 346,1 mm |

B-7976-C Bearing 2D drawings and 3D CAD models