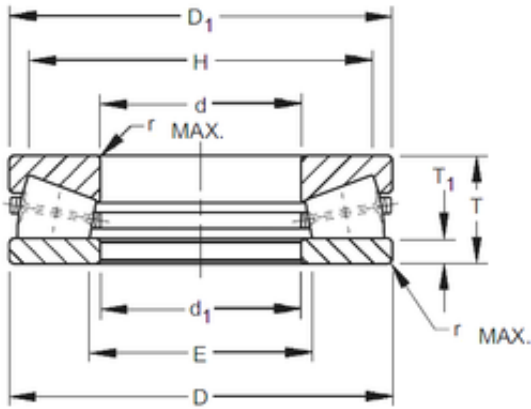




# NTA PRECISION AXLE CORP.

## Timken F-3163-C thrust roller bearings

Bearing No. F-3163-C



F-3163-C Bearing 2D drawings and 3D CAD models

Size	406.4x712.394x146.05 mm
Bore Diameter	406,4 mm
Outer Diameter	712,394 mm
Width	146,05 mm
d	406,4 mm
D	712,394 mm
T	146,05 mm
r max	7,6 mm
T1	30,96 mm
d1	409,58 mm
D1	711,28 mm
E	455,6 mm
H	650,9 mm