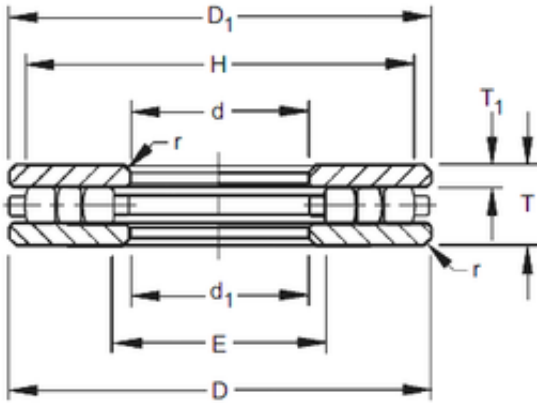




NTA PRECISION AXLE CORP.

Timken 30TP107 thrust roller bearings

Bearing No. 30TP107



Size	76.2x177.8x34.925 mm
Bore Diameter	76,2 mm
Outer Diameter	177,8 mm
Width	34,925 mm
d	76,2 mm
D	177,8 mm
T	34,925 mm
r max	1,6 mm
T1	9,52 mm
d1	77,79 mm
D1	176,21 mm
E	87,3 mm
H	166,7 mm

30TP107 Bearing 2D drawings and 3D CAD models