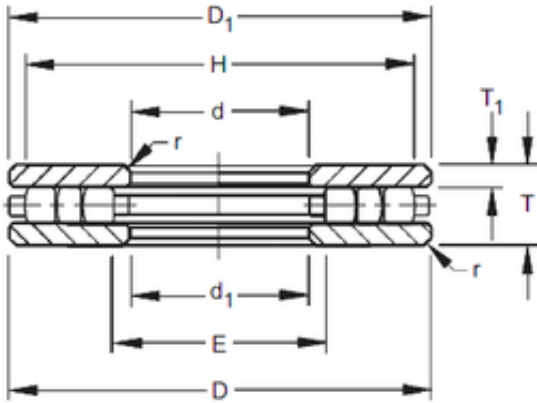




# NTA PRECISION AXLE CORP.

## Timken 50TP120 thrust roller bearings

Bearing No. 50TP120



Size	127x228.6x44.45 mm
Bore Diameter	127 mm
Outer Diameter	228,6 mm
Width	44,45 mm
d	127 mm
D	228,6 mm
T	44,45 mm
r max	1,6 mm
T1	12,7 mm
d1	128,59 mm
D1	227,01 mm
E	139,7 mm
H	215,9 mm

50TP120 Bearing 2D drawings and 3D CAD models