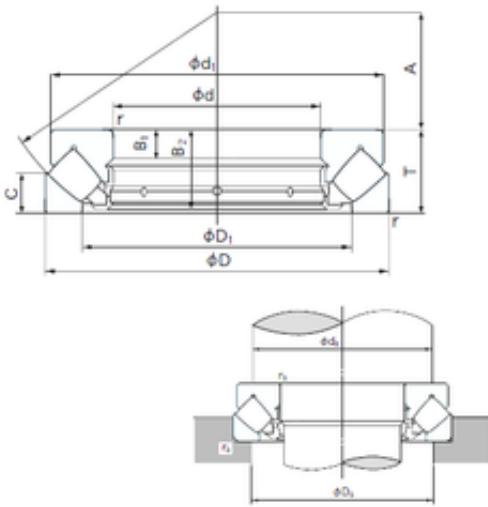




# NTA PRECISION AXLE CORP.

## 100 mm x 170 mm x 14 mm NACHI 29320E thrust roller bearings

Bearing No. 29320E



29320E Bearing 2D drawings and 3D CAD models

Size	100x170x42 mm
Bore Diameter	100 mm
Outer Diameter	170 mm
Width	42 mm
d	100 mm
D	170 mm
T	42 mm
d1	163 mm
r min.	1.5 mm
A	58 mm
B1	14 mm
B2	40 mm
C	20.8 mm
D1	129 mm
da min.	130 mm
Da max.	150 mm
ra max.	1.5 mm
Weight	3.91 Kg
Basic dynamic load rating (C)	355 kN
Basic static load rating (C0)	1260 kN
Bore Type	Cylindrical Bore
Enclosure	Open
Configuration	Single Row
Bore Size	100 mm
Outside Diameter	170 mm



## NTA PRECISION AXLE CORP.

Fillet Radius/Chamfer	1.5 mm
Width	42 mm
Dynamic Load Rating	355,000 N
Static Load Rating	1,260,000 N
Limiting Speed - Oil	2,500 rpm
B	14 mm
da (min)	130 mm
Da (max)	150 mm
ra (max)	1.5 mm