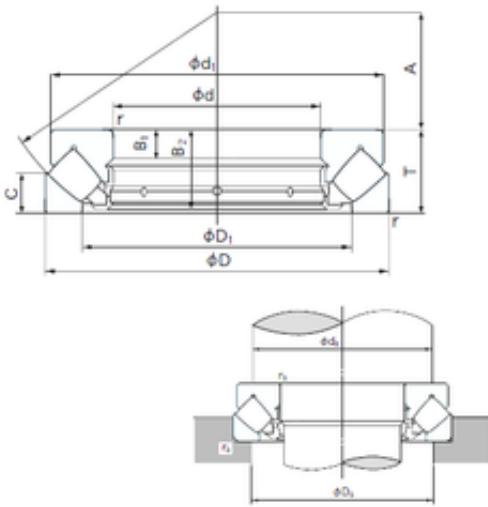




NTA PRECISION AXLE CORP.

480 mm x 850 mm x 81 mm NACHI 29496E thrust roller bearings

Bearing No. 29496E



29496E Bearing 2D drawings and 3D CAD models

Size	480x850x224 mm
Bore Diameter	480 mm
Outer Diameter	850 mm
Width	224 mm
d	480 mm
D	850 mm
T	224 mm
d1	810 mm
r min.	9.5 mm
A	280 mm
B1	81 mm
B2	216 mm
C	108 mm
D1	638 mm
da min.	645 mm
Da max.	730 mm
ra max.	8 mm
Weight	543 Kg
Basic dynamic load rating (C)	8250 kN
Basic static load rating (C0)	36000 kN
Bore Type	Cylindrical Bore
Enclosure	Open
Configuration	Single Row
Bore Size	480 mm
Outside Diameter	850 mm



NTA PRECISION AXLE CORP.

Fillet Radius/Chamfer	9.5 mm
Width	224 mm
Dynamic Load Rating	8,250,000 N
Static Load Rating	36,000,000 N
Limiting Speed - Oil	260 rpm
B	81 mm
da (min)	645 mm
Da (max)	730 mm
ra (max)	8 mm