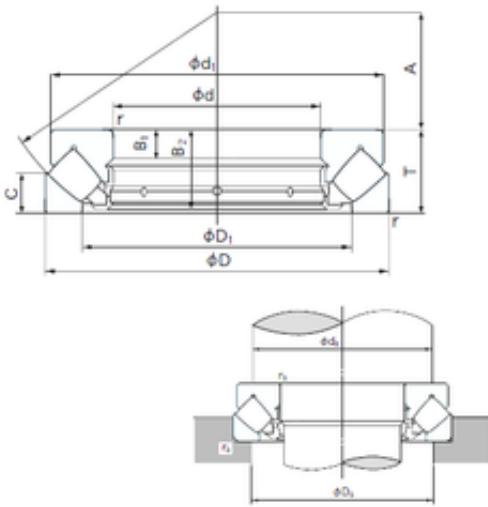




# NTA PRECISION AXLE CORP.

## 260 mm x 420 mm x 32 mm NACHI 29352E thrust roller bearings

Bearing No. 29352E



29352E Bearing 2D drawings and 3D CAD models

Size	260x420x95 mm
Bore Diameter	260 mm
Outer Diameter	420 mm
Width	95 mm
d	260 mm
D	420 mm
T	95 mm
d1	405 mm
r min.	5 mm
A	148 mm
B1	32 mm
B2	91 mm
C	45 mm
D1	329 mm
da min.	330 mm
Da max.	365 mm
ra max.	4 mm
Weight	51.5 Kg
Basic dynamic load rating (C)	1810 kN
Basic static load rating (C0)	7500 kN
Bore Type	Cylindrical Bore
Enclosure	Open
Configuration	Single Row
Bore Size	260 mm
Outside Diameter	420 mm



## NTA PRECISION AXLE CORP.

Fillet Radius/Chamfer	5 mm
Width	95 mm
Dynamic Load Rating	1,810,000 N
Static Load Rating	7,500,000 N
Limiting Speed - Oil	860 rpm
B	32 mm
da (min)	330 mm
Da (max)	365 mm
ra (max)	4 mm