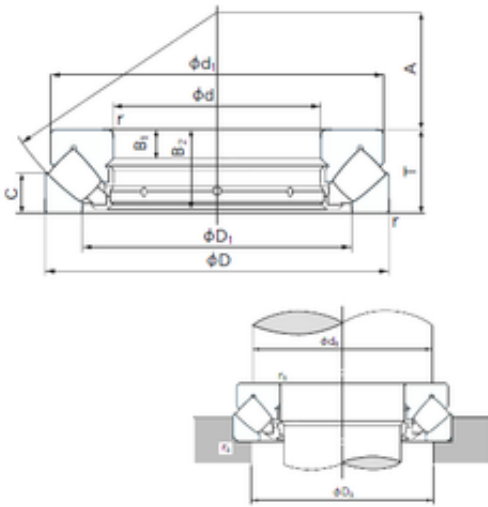




# NTA PRECISION AXLE CORP.

## 220 mm x 300 mm x 15 mm NACHI 29244E thrust roller bearings

Bearing No. 29244E



29244E Bearing 2D drawings and 3D CAD models

Size	220x300x48 mm
Bore Diameter	220 mm
Outer Diameter	300 mm
Width	48 mm
d	220 mm
D	300 mm
T	48 mm
d1	292 mm
r min.	2 mm
A	117 mm
B1	15 mm
B2	45 mm
C	24 mm
D1	254 mm
da min.	260 mm
Da max.	275 mm
ra max.	2 mm
Weight	9.84 Kg
Basic dynamic load rating (C)	595 kN
Basic static load rating (C0)	2750 kN
Bore Type	Cylindrical Bore
Enclosure	Open
Configuration	Single Row
Bore Size	220 mm
Outside Diameter	300 mm



## NTA PRECISION AXLE CORP.

Fillet Radius/Chamfer	2 mm
Width	48 mm
Dynamic Load Rating	595,000 N
Static Load Rating	2,750,000 N
Limiting Speed - Oil	1,600 rpm
B	15 mm
da (min)	260 mm
Da (max)	275 mm
ra (max)	2 mm